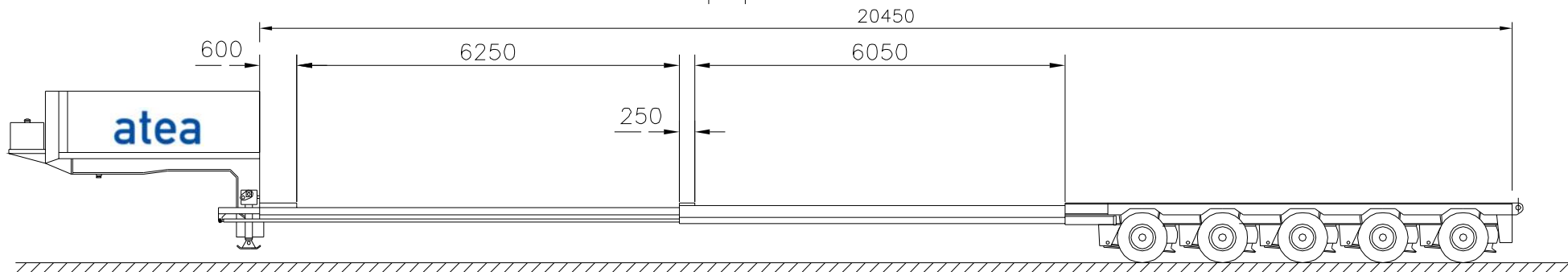
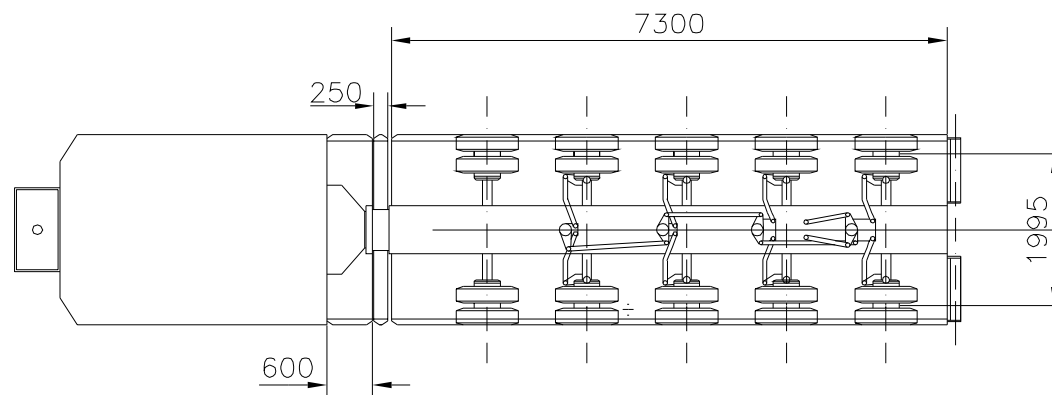
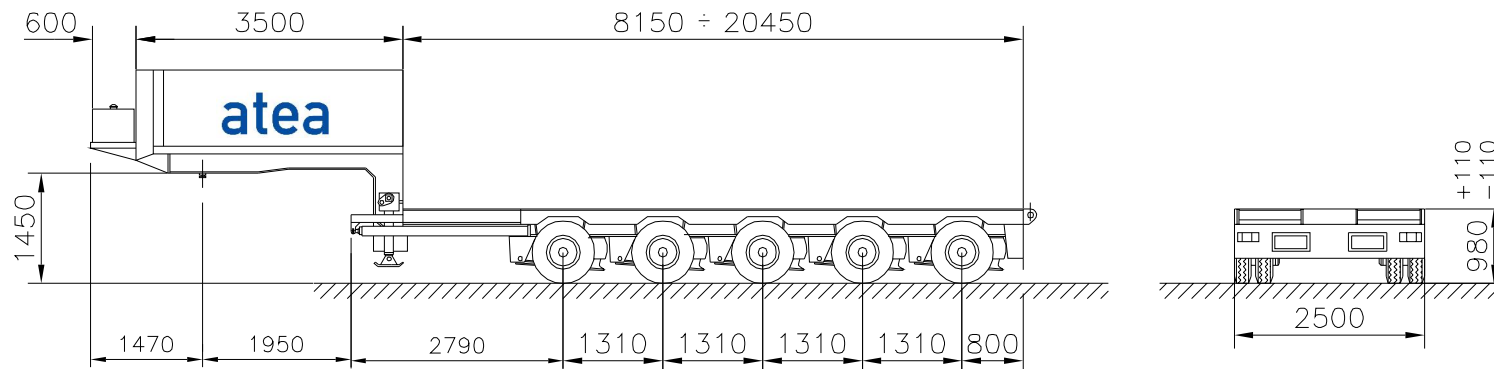


REMARKS:



BRAND: SCHEUERLE MODEL: SPVV5054	TARE: 17.96Tm.	LOAD CAPACITY: 49.54Tm.	NEUMAT. 20/8.25
SHEET: E-02 REV 0	N°FRAME: N°BAST: 7249	GROSS WEIGHT: 67.50Tm.	PRESSURE: 8bar

